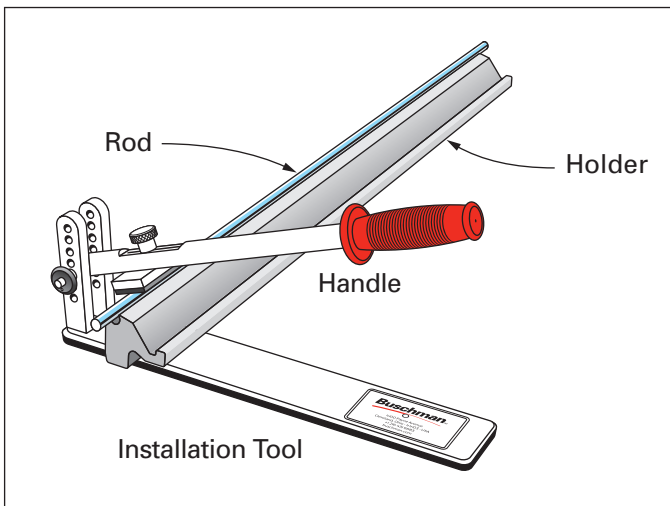
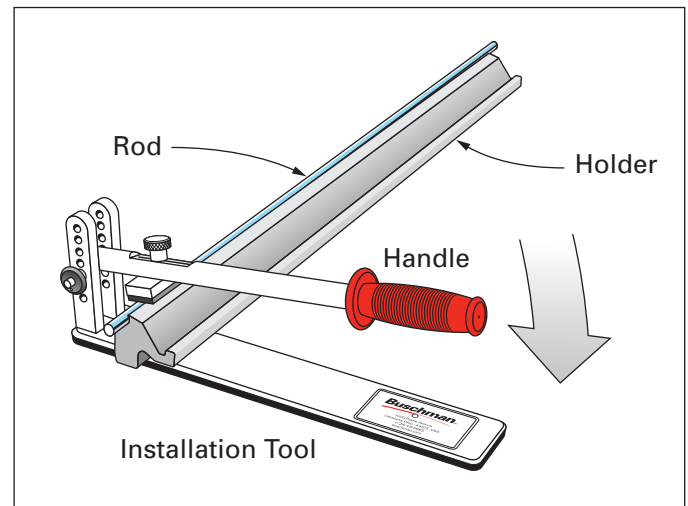


## Rod Installation Tool

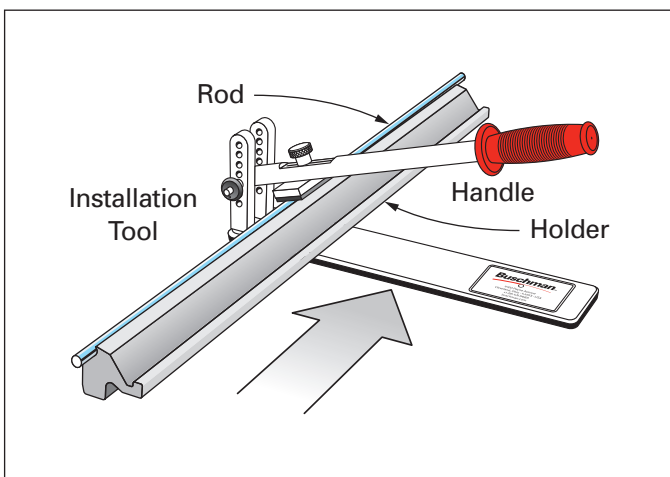
### Instructions for installing the metering rod into the rod holder



**Step 1:** Starting from one end of the rod holder, place the rod on top of the holder cradle and slide the installation tool underneath.



**Step 2:** Press down on the handle until the rod seats in the holder's cradle.



**Step 3:** Slide the installation tool down and repeat until the rod is fully seated for the entire length of the holder.